

# WIRING DIAGRAM

## EZ-5 W/CS SERIES COND

### DWG NO. 510-005-8

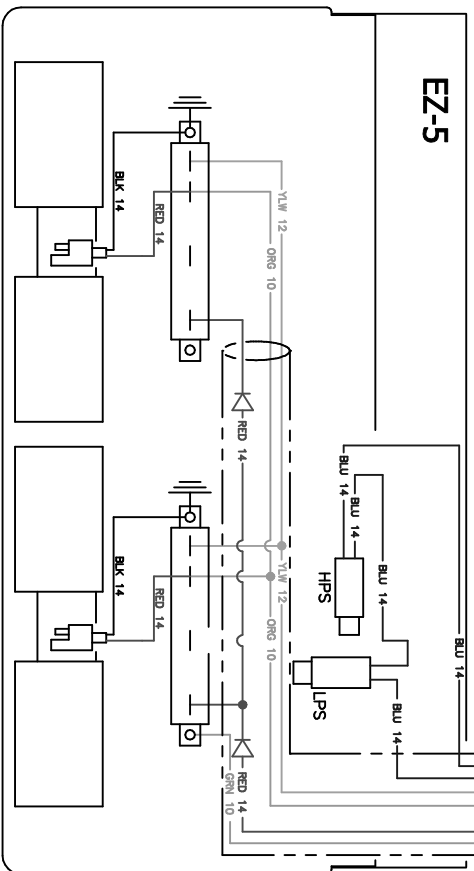
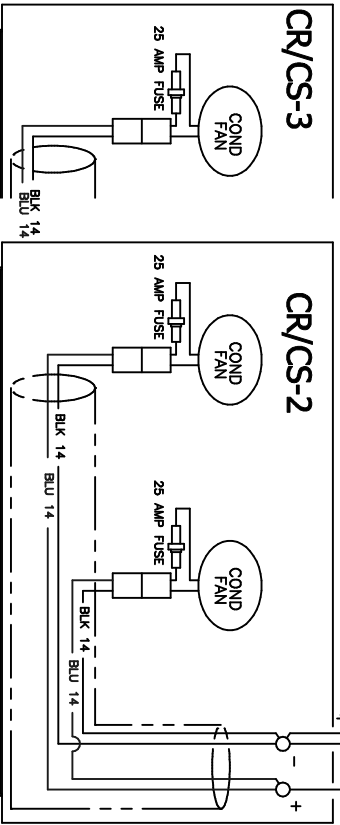
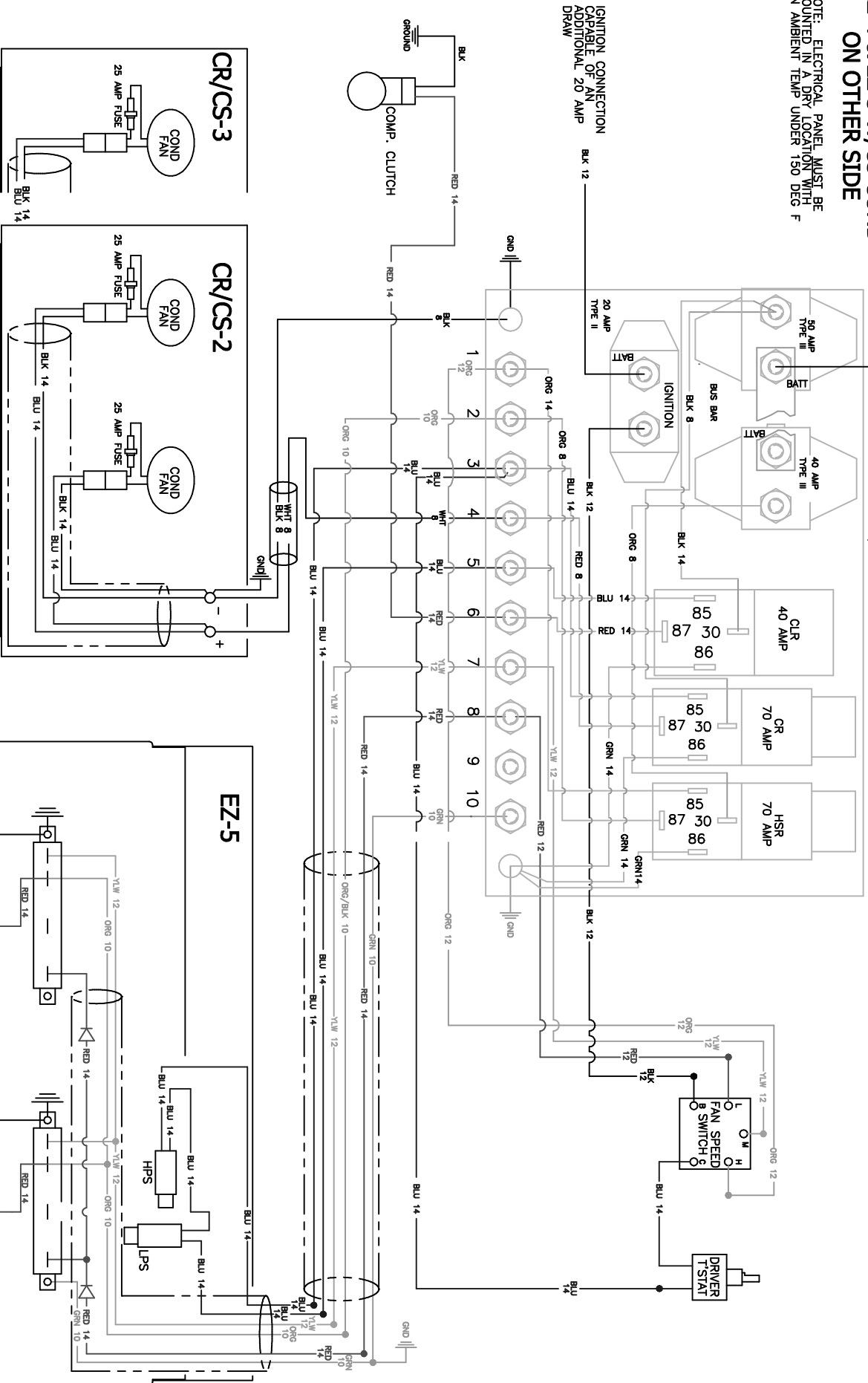
### EZ-4 & EZ-3 W/CS COND

### ON OTHER SIDE

NOTE: ELECTRICAL PANEL MUST BE MOUNTED IN A DRY LOCATION WITH AN AMBIENT TEMP UNDER 150 DEG F

ELECTRICAL PANEL  
P/N 550-005-8

POS. BATTERY TERMINAL  
4 GA WIRE PROVIDED BY OTHERS



AMERICAN COOLING TECHNOLOGY, Inc.

715 WILLOW SPRINGS LANE

YORK, PA 17406

FAX: (717) 767-3658

(717) 767-2775